



ATUC-50INT Interpretation Unit

Features

- Interpretation unit for up to three (3) language interpretation
- Alphanumeric LED display with 4 buttons for choosing the incoming and outgoing languages, and adjustment of the headphone output level
- Choice of floor or relayed language as incoming language
- Interlock, no-interlock and combine mode of the interpretation units
- Up to two (2) interpretation units per language
- 24bit/48kHz audio quality
- 3 pin XLR connector for the ATUC-M43H or ATUC-M58H gooseneck microphones or any 24V phantom powered condenser microphones
- One-directional and bi-directional interpretation function

Description

The **ATUC-50INT** is an interpretation unit enhancing the **ATUC-50** conferencing system with up to three (3) language interpretation. The alphanumeric LED display has 4 buttons where the left-most button selects the choice of the incoming language and the right-most button selects the choice of outgoing language. The middle two (2) buttons toggle between language select or headphone volume select and control.

There can be up to two (2) **ATUC-50INT** assigned per language, which enables a total maximum of six (6) **ATUC-50INT** interpretation units per system. The **ATUC-50INT** can be placed anywhere in the chain/ring and does not require a proprietary cable run.

The **ATUC-50INT** features relayed interpretation. This enables the interpreter to choose between listening to the floor (spoken) language or to another interpreted language (Language 1).

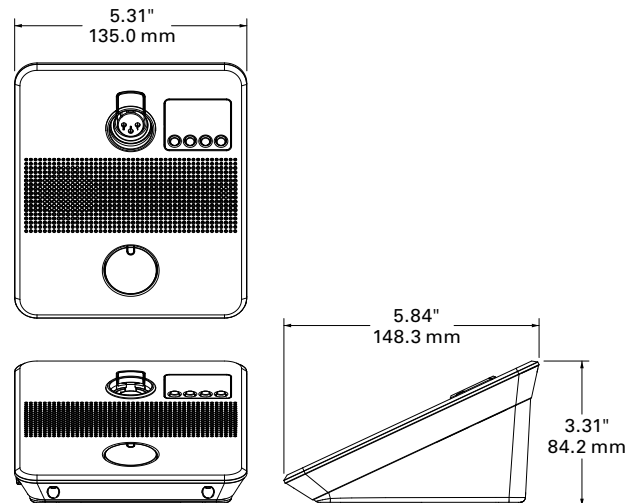
If there are two (2) **ATUC-50INT** units per language these can be setup in three different modes:

- Interlock: one unit can override the other unit
- No interlock: no unit can override the other unit while active
- Combined: Both units can be active at the same time

The configuration of all **ATUC-50INT** interpretation units can be set up using the built-in Web Remote conference management software on the **ATUC-50CU** Control Unit.

Accessories / related ATUC-50 equipment:

- ATUC-M43H, 43 cm gooseneck with LED ring
- ATUC-M58H, 58 cm gooseneck with LED ring
- ATUC-HP2, stereo headphone



Specifications

Dynamic range	107 dB A-weighted
Frequency response	+ 1.0, – 2.0dB, 20Hz~20kHz, refer to +4dBu output @ 1kHz
Audio sampling	24 bit/48 kHz
Signal-to-noise	87 dB, A-weighted
I/O connectors	Inputs: MIC (Neutrik XLR-F) Outputs: Headphones x 1 LINK/CHAIN: DU RJ45 A/B terminals
Headroom	20 dB
Equivalent input noise	Less than –121dBu, Rs=150 ohm
Total harmonic distortion	Less than 0.07% @1kHz unity
Phantom power	DC +24V
Power supply	DC +48V
Power consumption	2.2 W
Operation temperature	0~40° C
Operation humidity	25-85%
Dimensions (W x D x H)	135mm x 148.3mm x 84.2mm
Net weight	570g
Finish	Top panel: Gun metal - Enclosure: Black
Included accessories	Quick setup guide, warranty sheet

Specifications are subject to change without notice.